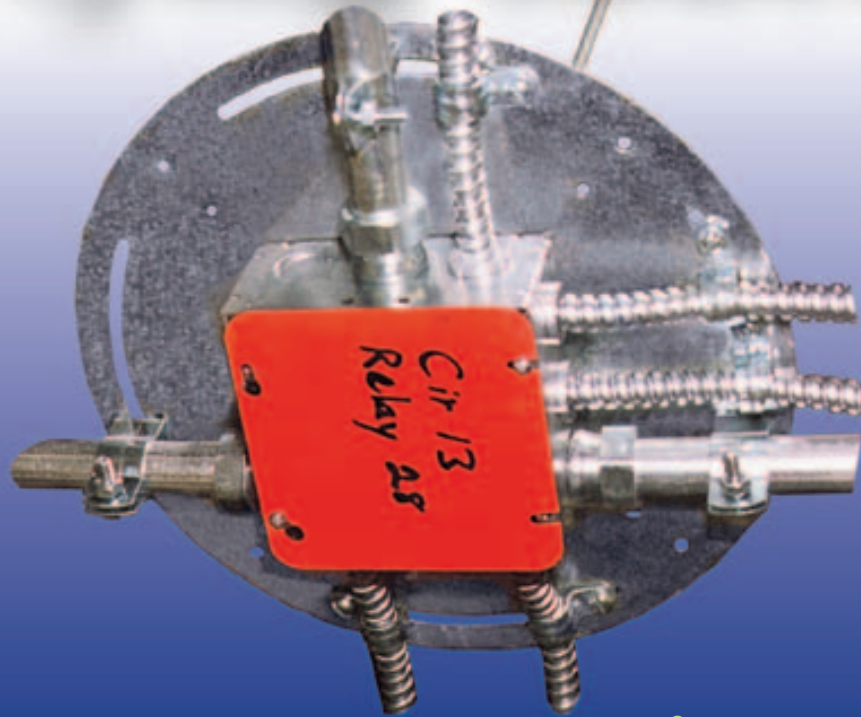


# It's NO Flying Saucer!



## It's the Labor-saving BC95 Box & Conduit Bracket

The BC95 meets the NEC<sup>®</sup> requirements for hanging junction boxes and fastening conduit. Other solutions can be too costly to install; testimonials have each installed plate saving from \$20 to \$40 in labor costs\*.

Support Box and Conduits with one rod and clamp! Each plate will support multiple conduits within four inches of the box in all directions!

Eliminate the labor expense of supporting conduits using threaded rods, strut or other means and save 30 to 45 minutes per box!

The BC-95 mounting meets requirements for box support outlined in NEC Article 300-11, 331-11, 333-7, 334-10, 345-12, 346-12, 347-8, 348-12, 350-18 and 351-8 (excerpts from the 1996 Code Book).

\* Box & Conduit sold separately. Actual savings will vary.



US Patents # 5,698,820, 5,883,332  
Canada Patent 2,179,941  
Made in the USA



NEC is a registered trademark of the  
National Fire Protection Association

FOR PURCHASE INFORMATION

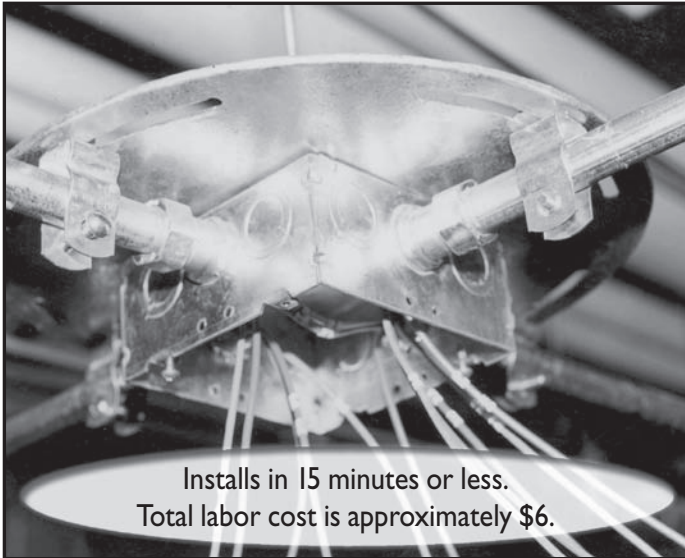
PLEASE CONTACT

**(877) 216-0660**

Distributed by Procyon2 Network & Associates • Dallas, TX • 877-216-0660 • [www.procyon2.com](http://www.procyon2.com)  
Parsec Products, Inc. owns all patents related to the BC95 Box & Conduit Bracket.

# BC•95 Box & Conduit Bracket

- Fabricated from 20 gauge galvanized steel
- UL Listed and tested with a pull-force of 180 lbs
- UL Listed and tested with a load of 60 lbs.
- Meets both Federal guidelines and the National Electrical Code for bracing conduit° (with the BC95, bracing is complete within 4 inches of the box)
- Can brace conduit from any angle — all 360°



Installs in 15 minutes or less.  
Total labor cost is approximately \$6.

## NO COMPETITION WITH THE BC95

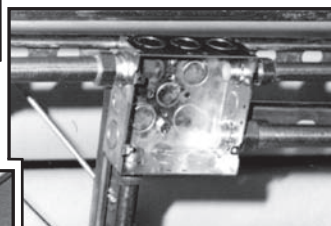
With sawing, cutting, and the requirement to install up to three or more all-thread rods, competing solutions can take up to 50 minutes to complete, costing over \$20 in labor time.



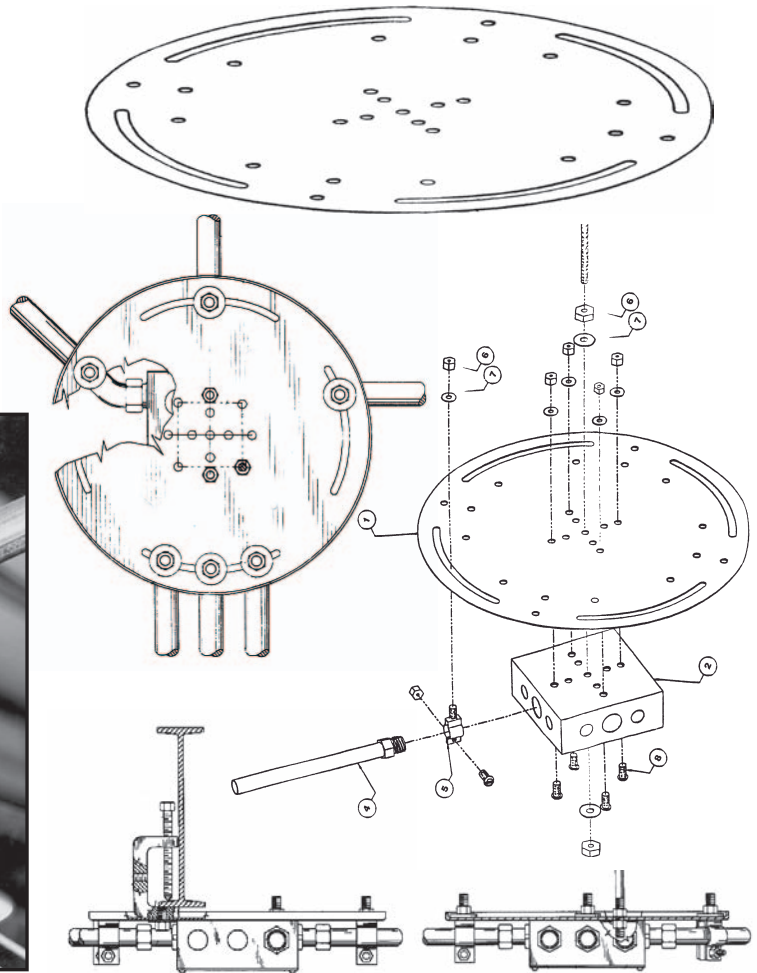
This installation required 4 additional "all-thread" rods.



Both of these installations required a hacksaw and assembly of a brace using uni-struct.



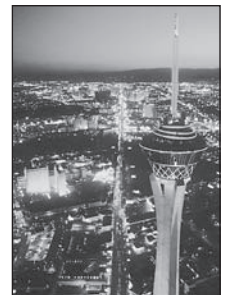
All three methods took more time to install than the BC95 Box & Conduit Bracket.



## BC 95 INSTALLATIONS

The Stratosphere Hotel & Casino  
The Bellagio  
McCarren International Airport  
- Las Vegas, NV

The Horseshoe Casino & the Hollywood Casino  
- Bossier City, LA.



Barksdale Air Force Base  
- Shreveport, LA.  
The Pentagon  
- Washington DC

Thousands have been installed in other facilities including public schools, commercial warehouses and distribution centers, hospitals – including two Veterans Administration Hospitals.

Thousands have been installed at various high rise office buildings in San Francisco, including the Bank of America Tower.

PROCYON2 NETWORK & ASSOCIATES

PO Box 7729  
Dallas, TX 75209-0729  
Office 214-350-1299

Fax 214-902-9069

FOR SALES INFORMATION  
**(877) 216-0660**  
www.procyon2.com